

## SERIES 34E

### Sealed Surface Mount Toggle Switches

#### FEATURES

- Save Space and Weight
- SPDT Circuitry
- Choice of Actuators and Terminations
- Sealed per IP67



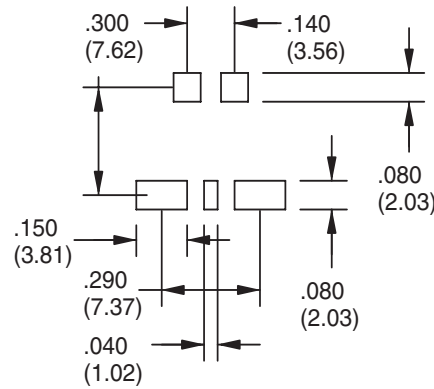
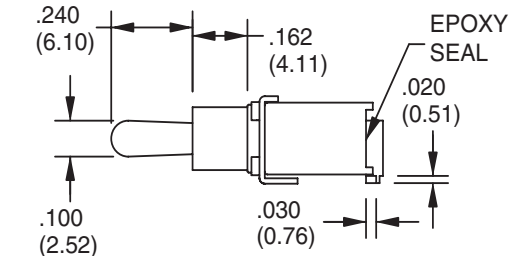
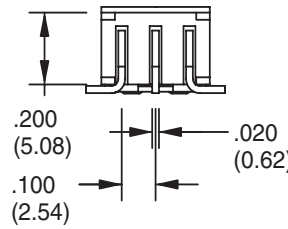
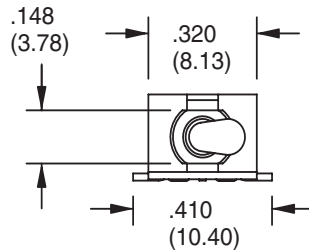
#### MODELS In inches (and millimeters)

M6

SPDT

| MODEL NO.   | SWITCH POSITION |      |      |
|-------------|-----------------|------|------|
| WMSP1       | ON              | NONE | ON   |
| WMSP2       | ON              | NONE | (ON) |
| WMSP3       | ON              | OFF  | ON   |
| WMSP4       | (ON)            | OFF  | (ON) |
| WMSP5       | ON              | OFF  | (ON) |
| TERM. COMM. | 2-3             | OPEN | 2-1  |

( )=MOMENTARY

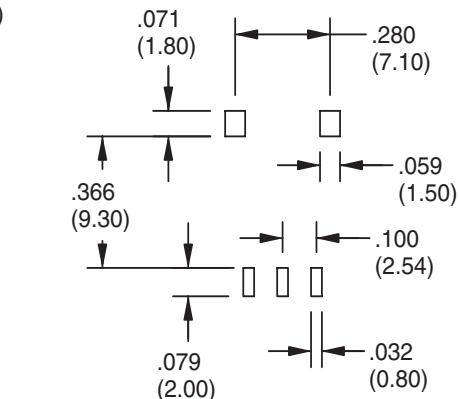
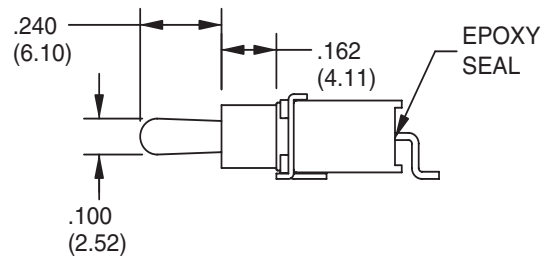
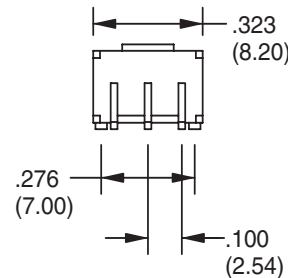
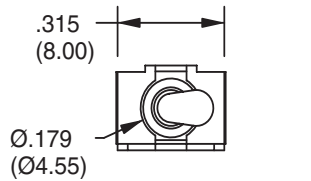
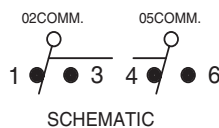


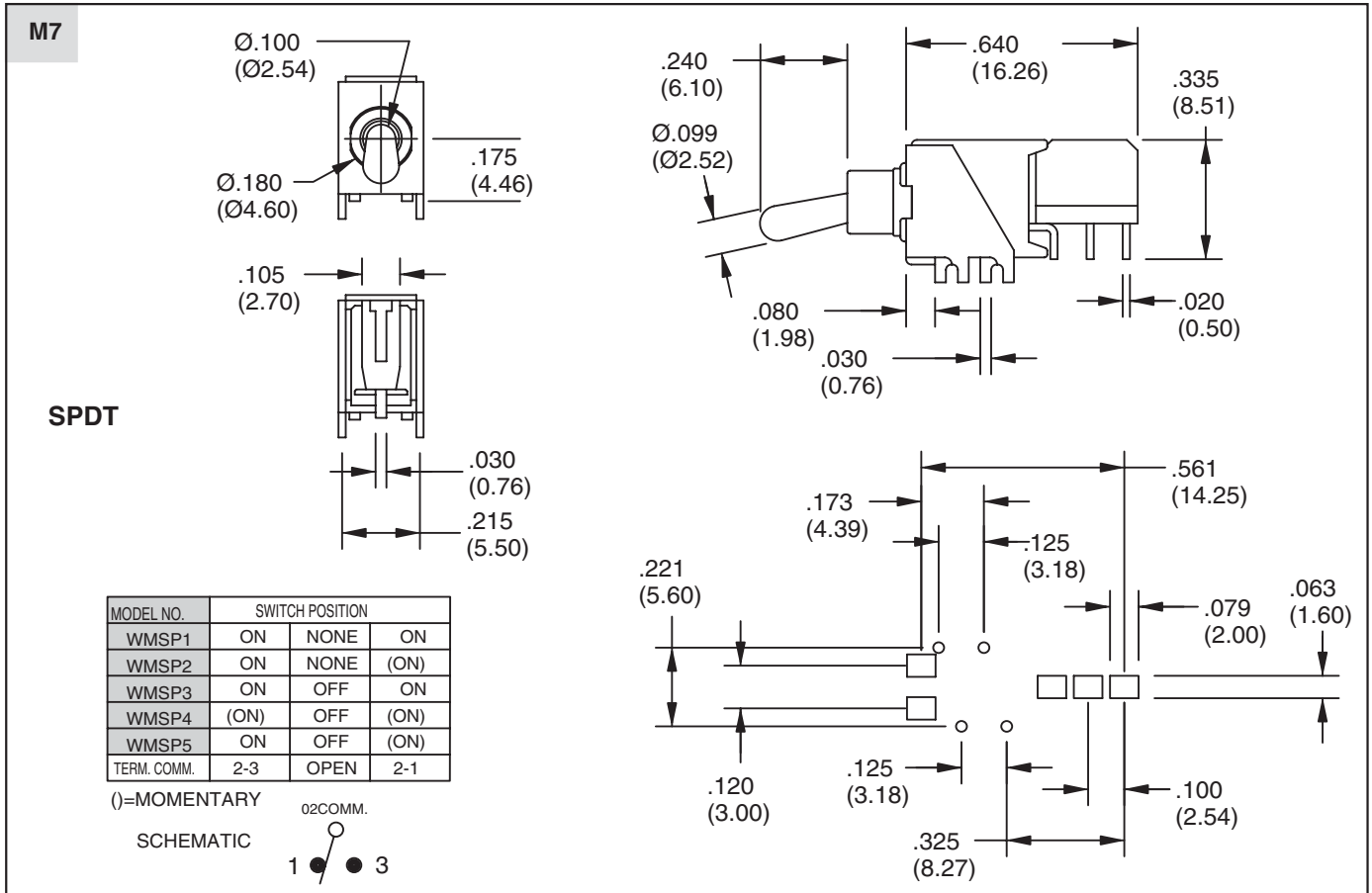
S6

SPDT

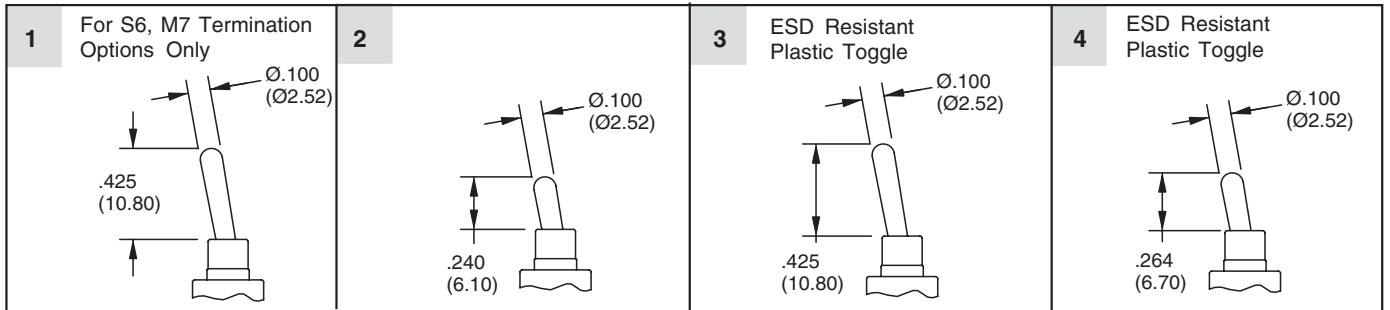
| MODEL NO.   | SWITCH POSITION |      |      |
|-------------|-----------------|------|------|
| WMSP1       | ON              | NONE | ON   |
| WMSP2       | ON              | NONE | (ON) |
| WMSP3       | ON              | OFF  | ON   |
| WMSP4       | (ON)            | OFF  | (ON) |
| WMSP5       | ON              | OFF  | (ON) |
| TERM. COMM. | 2-3             | OPEN | 2-1  |

( )=MOMENTARY

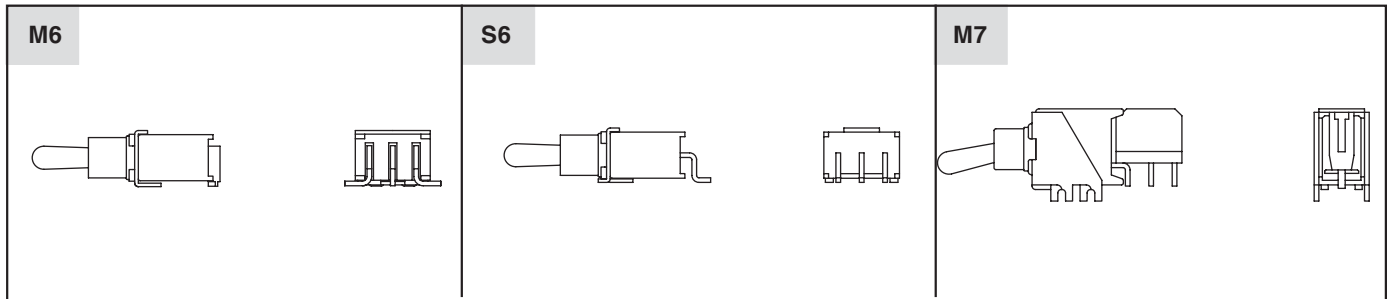




**ACTUATOR OPTIONS** In inches (and millimeters)

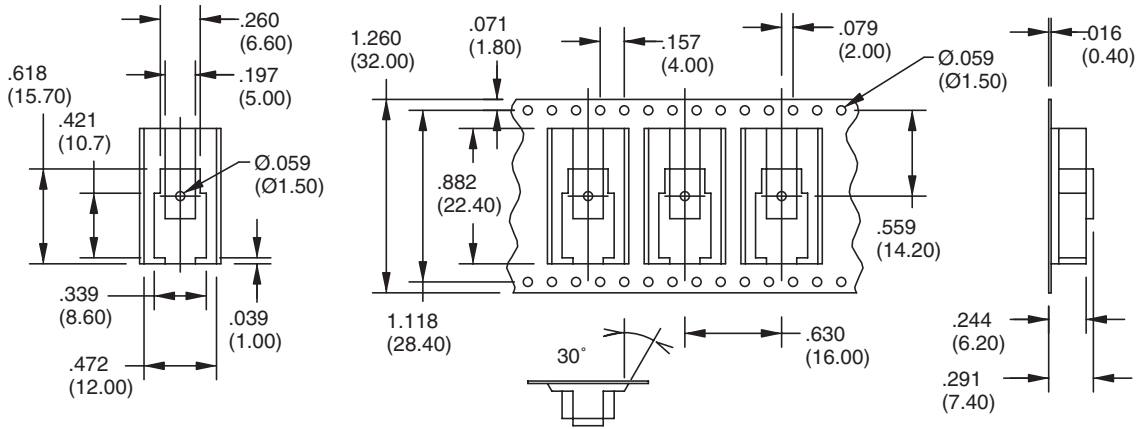


**TERMINATION OPTIONS**

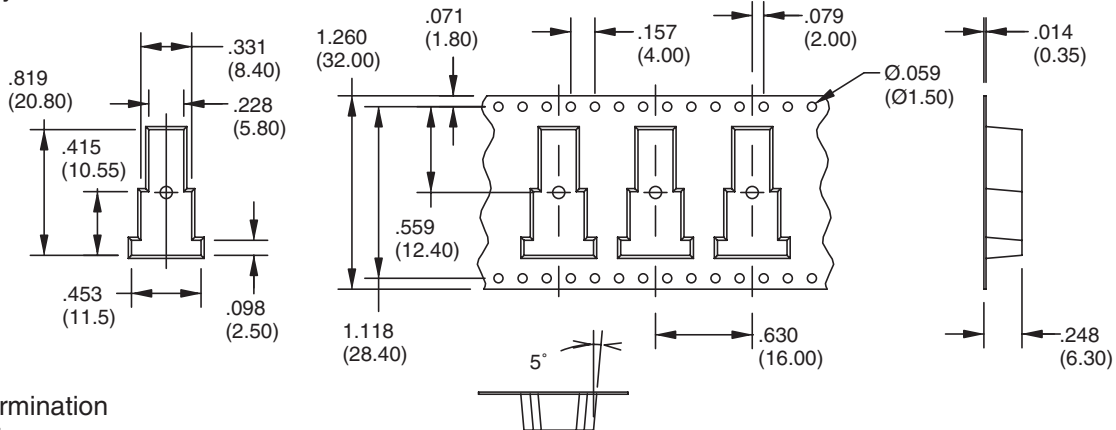


**TAPE AND REEL PACKAGING** In inches (and millimeters)

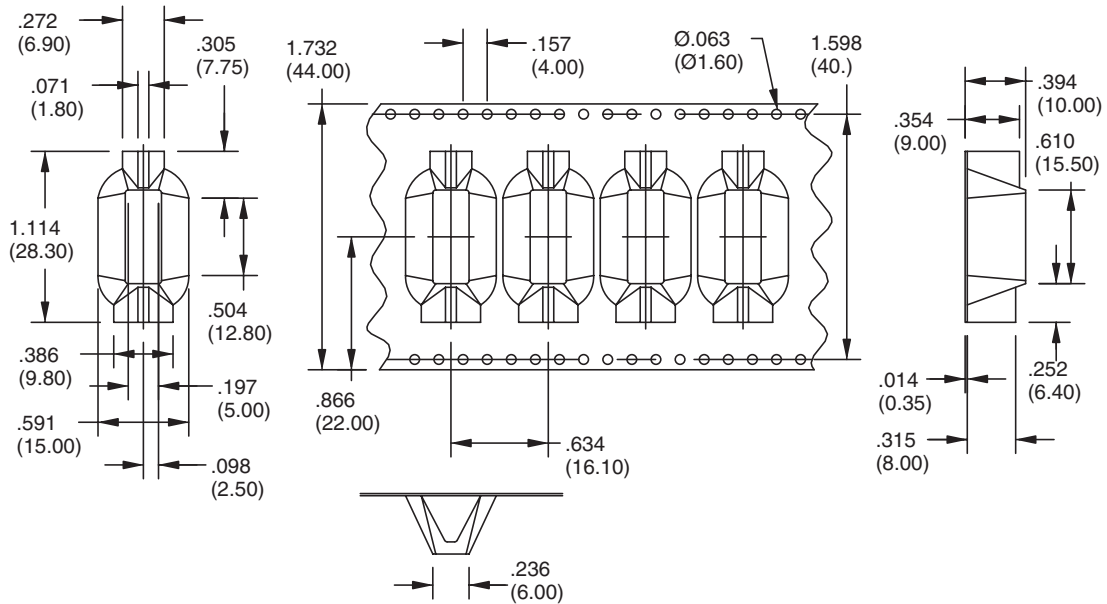
For M6 Termination  
Option Only



For S6 Termination  
Option Only



For M7 Termination  
Option Only



**SPECIFICATIONS**

**RATINGS**

**Contact Rating:** 0.4 VA max. @ 20V max. (AC or DC)

**Mechanical and Electrical Life:** 30,000 make-and-break cycles at full load

**Contact Resistance:** 20 milliohms max. typ. initial @ 2-4 VDC, 100 mA

**Insulation Resistance:** 1,000 megaohms minimum

**Dielectric Strength:** 1,500 V RMS @ sea level

**Operating Temperature:** -30°C to 85°C

**MATERIALS**

**Case and Bushings:** Glass-filled nylon 4/6,

flame retardant, heat stabilized (UL94V-0)

**Actuator:** Brass, chrome plated

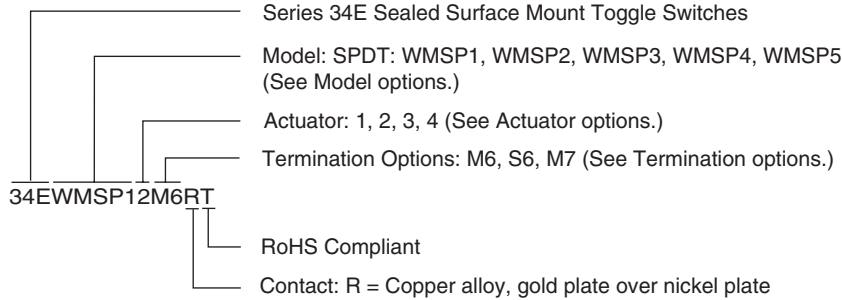
**Contacts:** Copper alloy, gold plate over nickel plate

**Terminals:** Copper alloy, tin plate over nickel plate

**Terminal Seal:** Epoxy

**Tape and Reel:** 500 pcs/per reel

**ORDERING INFORMATION**



Available from your local Grayhill Component Distributor. For prices and discounts, contact a local Sales Office, an authorized local Distributor or Grayhill.