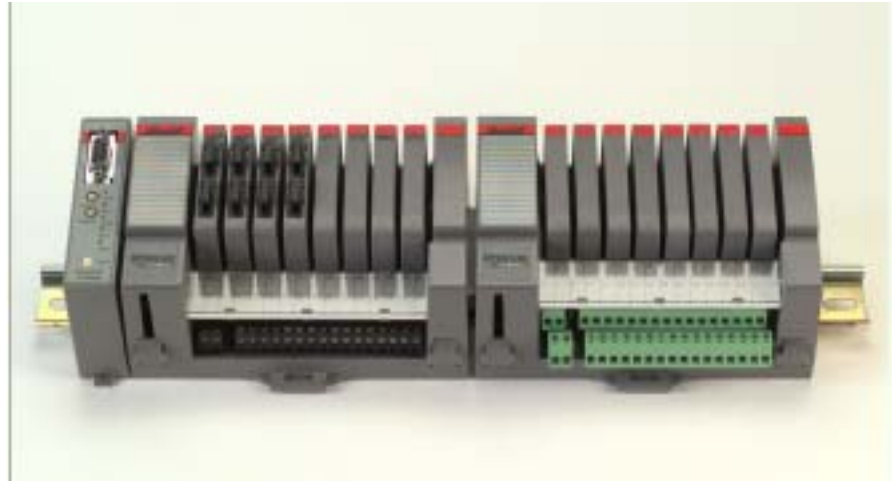


NETWORK INTERFACES OpenDAC® for Profibus

FEATURES

- Each Unit Controls/Monitors up to 32 Analog and/or Digital I/O using OpenLine® Modules
- Network up to 127 OpenDACs® per Host PC
- Communicate at Speeds Up to 12 MB
- Auto Baud Rate Detect
- 100% Profibus DP Compatible (PTO Tested and Approved)
- I/O Update Rates of 500 µSec per 32 Digital and 1 mS per Analog Module (2 Channels)
- Diagnostic LEDs
- CE Certified
- DIN Rail Mount



PROFIBUS UNIT ON OPENDAC® SYSTEM

APPLICATIONS

Stand Alone Control
Local Control & I/O
Remote I/O
Distributed I/O
SCADA
RTU

GENERAL DESCRIPTION

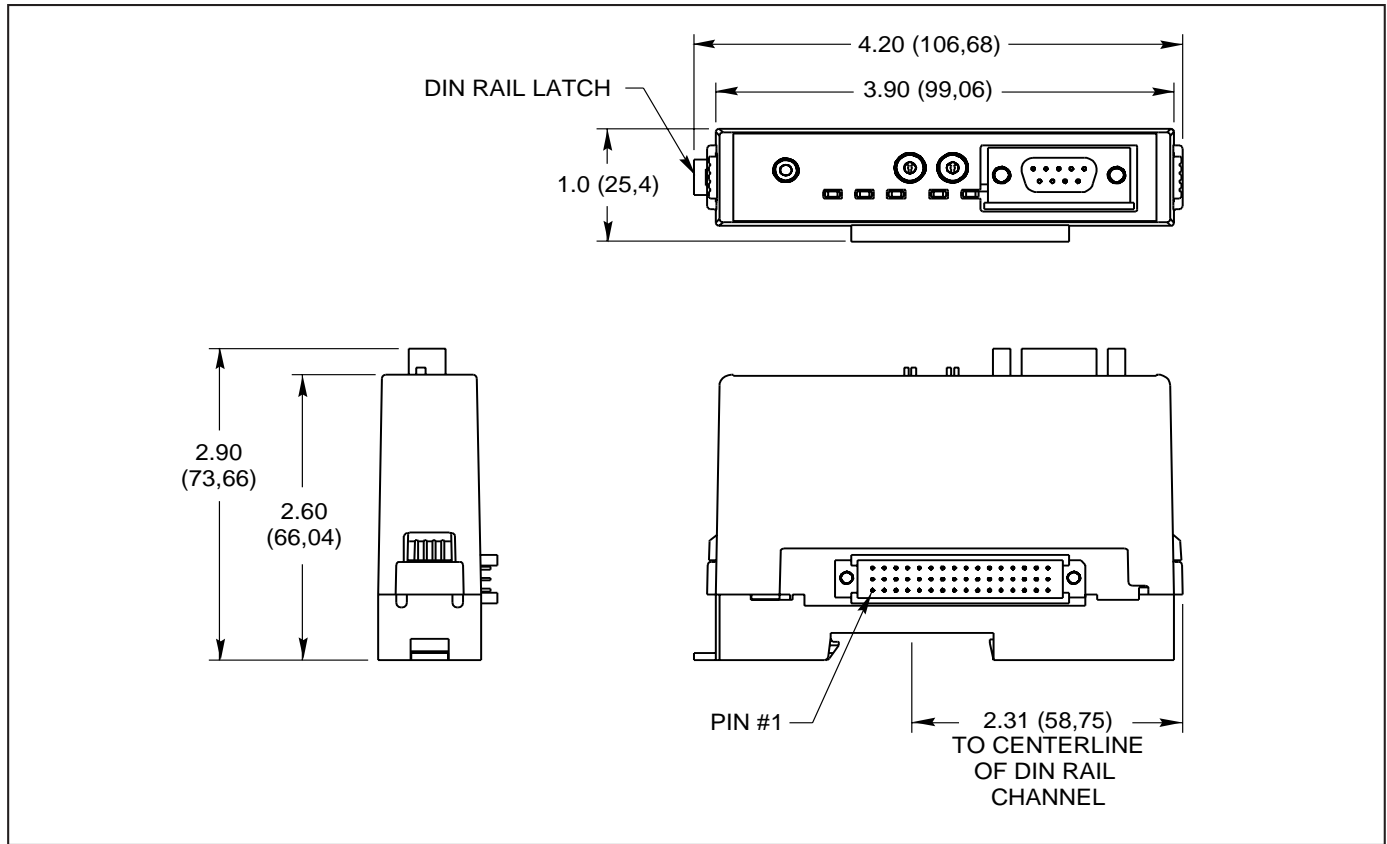
The OpenDAC® for Profibus network interface is a remote slave that responds to Profibus DP commands that it receives over the network. The status and configuration of up to 32 OpenLine® analog or digital I/O channels is stored and constantly refreshed.

OpenDAC® for Profibus is self-configuring. On power up, the controller will read the ID of each I/O module and build an internal database. During the master configuration the controller will compare this configuration with the stored configuration. If there is a match, the master will allow exchange of information to occur.

Each OpenDAC® or third party device on the network will occupy 1 of 127 unique addresses. Communication between the master and slave devices takes place at baud rates from 50 KB to 12 MB. OpenDACs® automatically detect the baud rate, eliminating switch settings and simplifying set up. Network traffic and controller status can be monitored by status LEDs on the controllers. Diagnostic information is routinely exchanged between master and slave devices.

Each OpenDAC® incorporates a communication watchdog timer that monitors communication from the Profibus master. When the watchdog is enabled and the slave does not receive a valid Profibus message within 100mS, the OpenDAC® will set all output values to zero. Should a valid message be received, the timer is reset and communication resumes.

DIMENSIONS In inches (and millimeters)



SPECIFICATIONS

- Supply Voltage:** 4.75 to 5.25 Vdc
- Supply Current (less modules):** 0.5A max.
- Operating Temperature:** -40 to 85°C
- Humidity:** 5-95% non-condensing
- Housing Material:** ABS/Polycarbonate blend
- CPU:** AM 188ES @ 24 MHz
- Connections:**
 - Profibus: 9-Pin D-Sub (female)
 - Passive Rack: 48-Pin Euro DIN (male)
- Serial Data:**
 - Format: 11 bits: 1 start, 1 stop, 1 parity (even), 8 data
 - Integrity: Frame checksum
- Range of Network (without repeaters):**
 - 1200 meters for entire network below 93 KB;
 - 600 meters at 187.5 KB; 200 meters at 500 KB

ORDERING INFORMATION

Part Number	Description
Profibus Network Interfacer	
72-PRO-4000	Analog/Digital OpenDAC® for Profibus DP
Profibus User's Manual and Software	
72-UM-PRO	OpenDAC® for Profibus DP user's manual
72-UOL	OpenLine® configuration and product data

Available from your local authorized Grayhill Distributor.

For prices and discounts, contact your local sales office, an authorized Distributor, or Grayhill.